

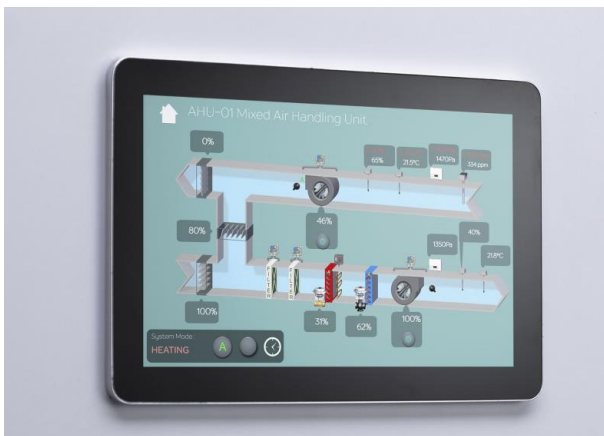
HMI Panel Solutions



SNHM10

10 inch Android based HMI Panel

Datasheet



1. Introduction

Sona HMI capacitive touch screen all-in-one /monitor is the most convenient & advanced human-machine interactive equipment. Which integrates many functions such as touch screen. Computer, multimedia, acoustics network industrial design and innovated structure etc. with pure flat structure combined with excellent performance of touchscreen to reach the real human-machine interactive.

2. Features

Capacitive Touchscreen: 10-point capacitive touch screen, 5 ms response.

HD display: Resolution 1280*800 brightness 300cd/m², pure color and natural.

System Compatible: Touchscreen monitor / android touchscreen AIO pc.

Performance Steady: Each unit undergoes multiple tests such as aging, temperature and humidity testing, static electricity detection, vibration, high voltage, touch click, display, etc. to ensure stable quality and support 7*24H work.

Structure crafts: Brand new frame sticker crafts, good seamless, waterproof IP65 at the surface, slim & pure flat structure, 7mm thickness only.

Durable material: All aluminum alloy frame & back cover, seamless welding, corrosion and oxidation resistance.

Installation simply: Wall mounted / embedded installations, plug and play. No need to debug

Power: POE or Power Supply

HMI Functions : Using Logic Machine Server KNX, Bacnet , Modbus , DMX, M-bus, X-Wave, Zigbee, EnOcean, TCP Socket, XML, SOAP, SNMP Support. Free design graphics using PNG, SVG, JPG, GIF graphics. Alarm and Notification Sound Support. Screensaver Support. Network connection control function.

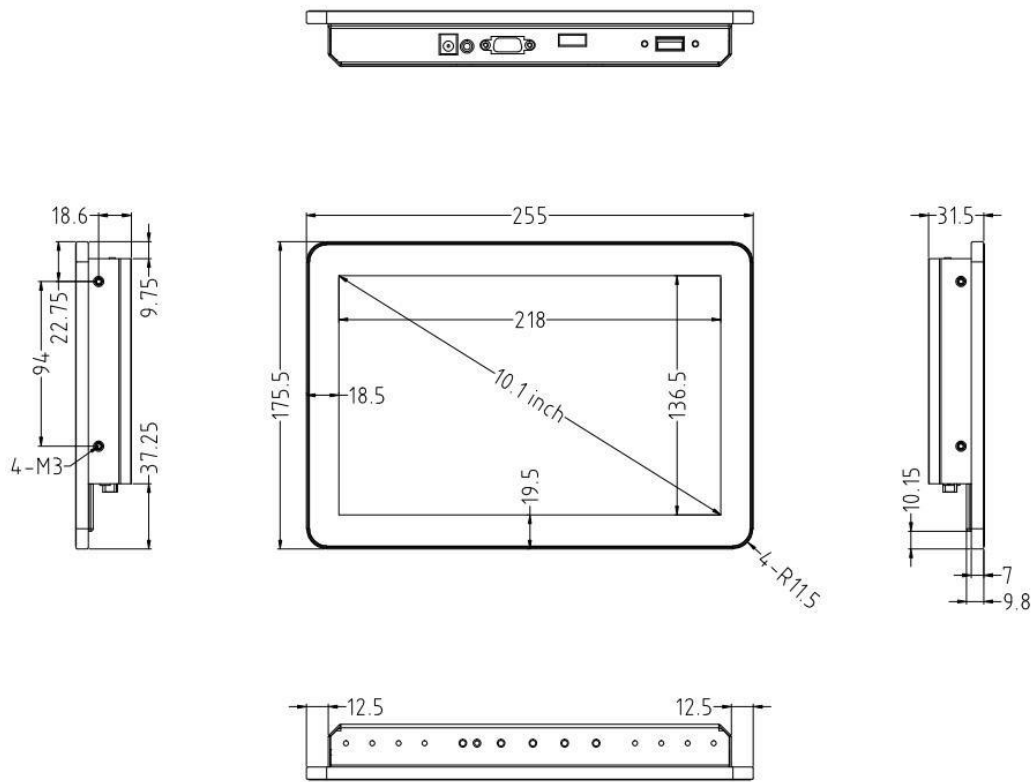
Meeting Room Monitoring via Microsoft Exchange Function: Using local Microsoft Exchange or Office 365 , you can monitor and show the status of the Meeting Room. By Clicking, you can see next meeting, daily meetings or weekly meetings.

3. Technical Parameters

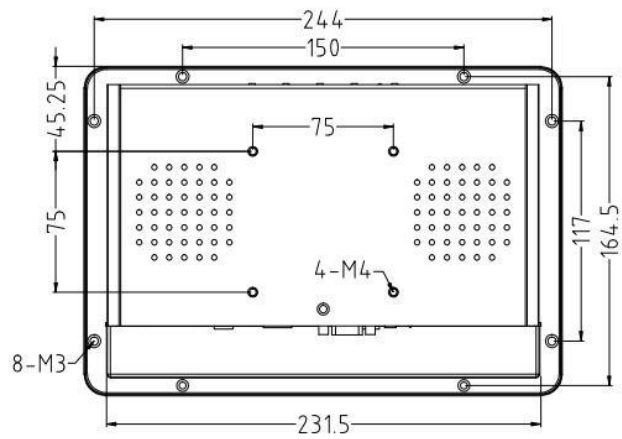
Display Type	LED panel (a-Si TFT-LCD WLED backlight) A type		
Display Size	10.1 inch (16:10)		
Display area	218 (W) *136.5 (H) mm		
Resolution	1280 * 800		
Brightness	$\geq 300\text{cd/m}^2$	Aspect ratio	$\geq 800: 1$
Reaction Time	10/15(Typ.)(Tr/Td)	Freshening frequency	60Hz
Colour Number	16.7M , 52% (CIE1931) LVDS ports		
Screen Viewing Angle	Full Viewing 85/85/85/85 (Typ.)(CR \geq 10)(L/R/U/D)		
Chip	Octa core RK3368 Quad core RK3288 Hexa core RK3399		
Ram	2G		
Hard disc	8G		
Network	Integrated 10/100 / 1000M adaptive network card with POE, wireless network card 802.11a / b / g / n		
Visible section size	218 * 136.5 mm (16: 10)		
Device Size (W×H×T)	255 (W) ×175.5 (H) ×31.8 (T) mm		
PackageSize (W×H×T)	360 (W) ×283 (H) ×83 (T) mm		
Mounting Holes (L×W)	75×75 mm		
Mounting Screw Type	M4		
N.W	0.9 KG		
G.W	2.2 KG		
Operating Temperature	0°C - 50°C		
Operating Humidity	0% - 90%		
Storage Temperature	0°C - 60°C		
Storage Humidity	0% - 65%		

4. Drawings

Front View



Back View



- **Products Views**



- **Details**



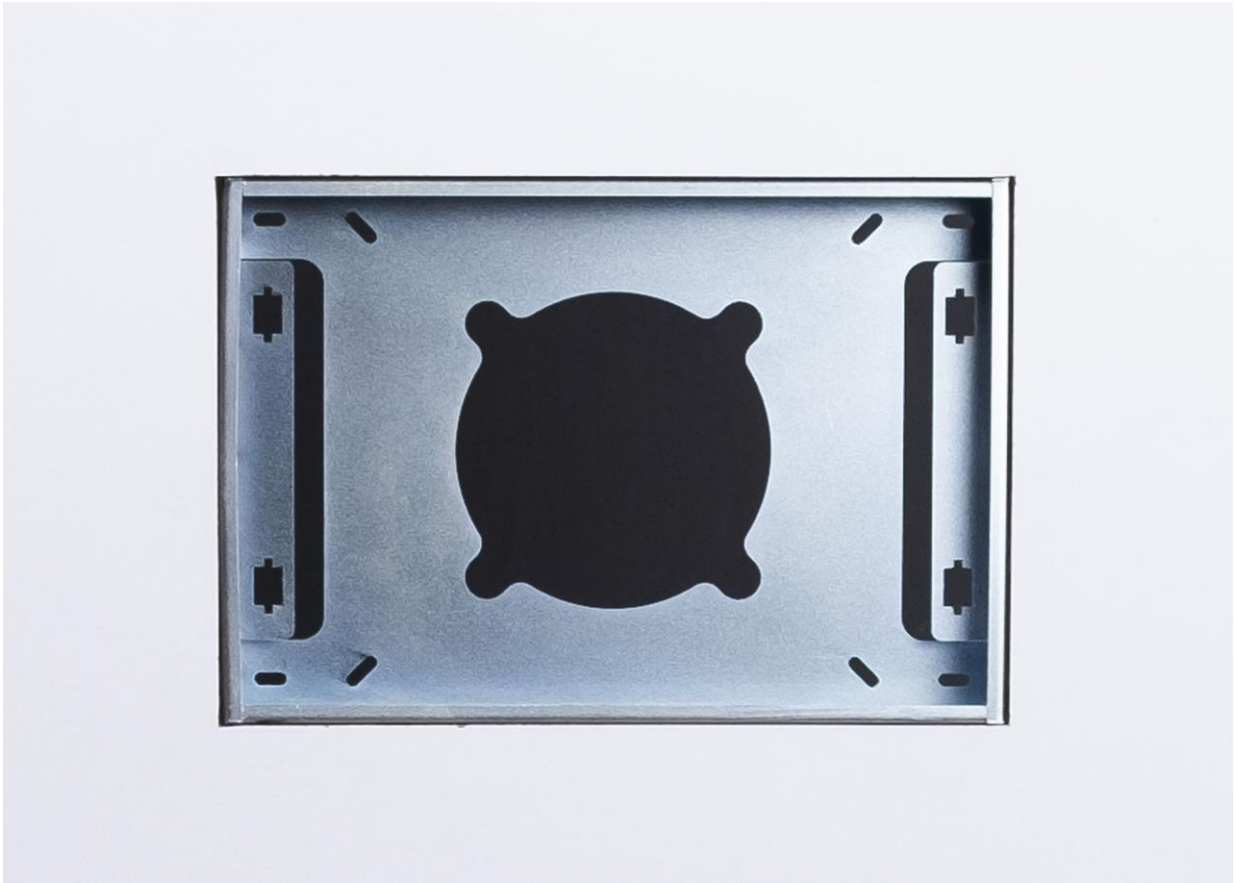
5. Accessories

SNWM25 : VESA 75 Wall Mounting Accessories



SNMT10A : Flush Mount Case for 10 Inch Panel





SNMT10P : Electrical Panel Mounting Equipment



6. Warning

This device belongs to precision electronic equipment, the front IP65, the overall protection level is IPX3, should pay attention to avoid water splashing rain.

Do not place the device in a damp environment. Outdoor equipment needs to be equipped with a moisture-proof cover. When it rains or dews, it needs to be protected to prevent the water from entering the machine and the mold. The wet environment will accelerate the rapid aging of electronic components, thereby reducing the service life of the product and causing damage to parts.

Do not leave the device exposed to strong UV light and direct sunlight for a long time. When the temperature is higher than 50 °C, the ultraviolet and high temperature illumination screen will accelerate the deflection of the liquid crystal molecules, and the screen will accelerate the aging. When the outdoor temperature is higher than 50 °C, it will be moved indoors or shaded.

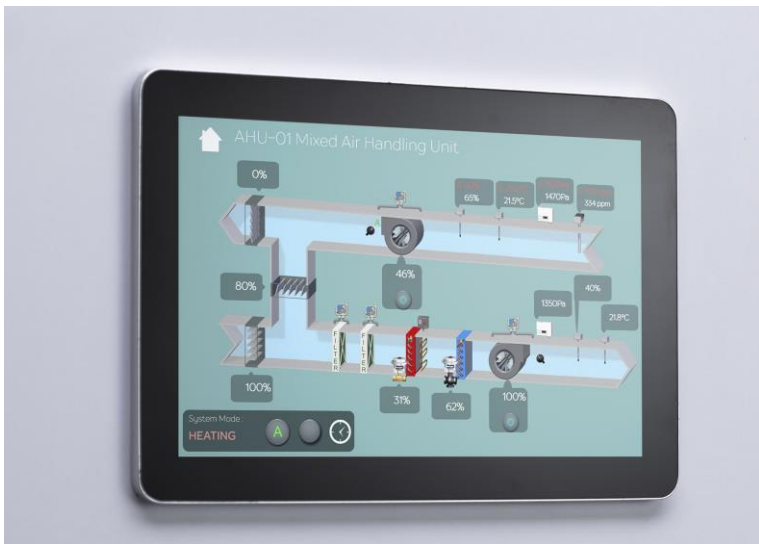
The brightness of the product is not less than 250cd/m2. When the ambient brightness is high, the screen display will be unclear. Please avoid placing it outdoors when the sunlight is strong.

When the temperature is below 0 °C, the screen may not work properly due to the deflection of the liquid crystal molecules. It is not recommended to use below 0 °C

The recommended ambient temperature for this product is 0-50 ° C and humidity is 0%-65%.

7. HMI Screen Examples





8. Meeting Room Examples

