

Technical Sheet For EIB/KNX Power Supply

LMD30640



The worldwide STANDARD for home and building control

INTRODUCTION

EIB/KNX power supply produces and monitors EIB / KNX system voltage. The bus is decoupled from the power supply with the integrated choke.

The power supply is connected to the bus line with a bus connection terminal. A reset is triggered by pressing the reset push button and lasts 22 seconds (regardless of the duration of the push button action). The bus line disconnected from the power supply and the devices connected to this bus line are returned to their initial state. If the line should be disconnected for a longer period, the bus connection terminal must be removed from power supply.

A 30V DC auxiliary voltage is made available via an additional connection terminal. This voltage can be used to supply a further bus line (in connection with a separate choke).

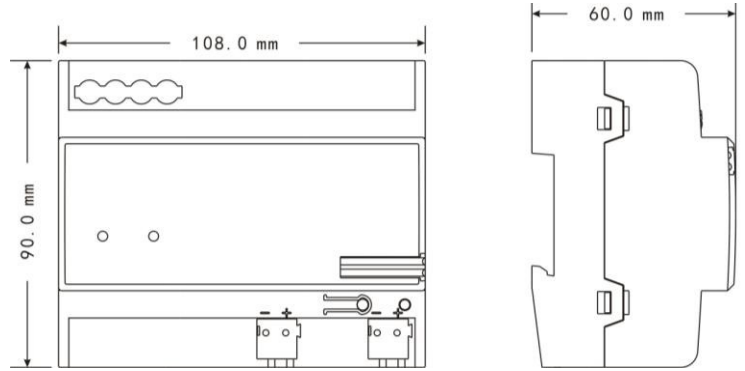
PARAMETERS

Power supply:	Input voltage: 95V ~255 Vac , 47~63Hz Power loss: <6 W Efficiency: 75%
Output:	EIB/KNX output (PSU): 1 line with integrated choke
EIB/KNX nominal voltage:	30 V DC +1/-2 V, SELV
Auxiliary voltage output:	1 (without choke)
Auxiliary voltage:	30 V DC +1/-1 V, SELV
EIB/KNX nominal current:	(Total of EIB/KNX and auxiliary voltage output) 640mA, short-circuit-proof
Sustained short-circuit current:	< 1.3 A
Mains failure back-up time:	>200ms
EIB/KNX output:	Bus connection terminal (black/red)
Auxiliary voltage output:	connection terminal (yellow/grey)

Operation:	-5 °C ~ + 45 °C
Storage:	-25 °C ~ + 55 °C
Transport:	-25 °C ~ + 70 °C

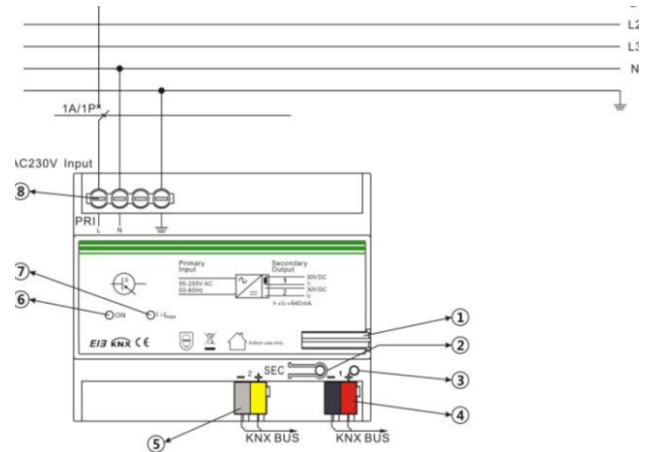
Mounting	On 35mm mounting rail
CE norm:	According to the EMC and low voltage guideline, EN 50090-2-2
Certification:	EIB/KNX certified

DIMENSIONS



Model	Dimension	Weight
LMD30640	108x 90 x 60mm	0.3kg

DESCRIPTIONS



- ① Label carrier
- ② Reset push button
- ③ Red LED (Reset)
- ④ Bus Connection Terminal (EIB/KNX Output)
- ⑤ Connection Terminal (auxiliary voltage output)
- ⑥ Green LED (output voltage is ok)
- ⑦ Red LED (overload/short circuit)
- ⑧ Main Supply

INSTALLATION FIGURE

The devices are suitable for installation on the distribution boards with 35mm mounting rail which complies with DIN EN 60715 or a small box in order to facilitate quick installation of the device. Must ensure that the device operation, testing, detecting, maintenance correctly.

IMPORTANT INFORMATION

Installation and commissioning of the device may only be carried out by trained electricians. The relevant standards, directives, regulations and instructions must be observed when planning and implementing the electrical installation.

- Protect the device against moisture, dirt and damage during transport, storage and operation!
- Do not operate the device outside the specified technical data (e.g. temperature range)!
- The device may only be operated in closed enclosures (e.g. distribution boards).

Should the device become soiled, it may be cleaned with a dry cloth. If this does not suffice, a cloth lightly moistened with soap solution may be used. On no account should caustic agents or solvents be used.