

Datasheet |

Parameters

Electrical parameters	
Program name	WS 5L Sensor (V1.0)
Model No.	LMMWS051B
Working power	21~30VDC
BUS interface	KNX/EIB
Dynamic current	< 20mA
Static current	< 16.5mA
Temperature detection range	-30°C~70°C
Illumination detection range	0~15000LUX
KNX terminals	(Red /Grey) 0.6 – 0.8mm Diameter Single-Core
Environmental Conditions	
Working temperature	-5°C~45°C
Working relative humidity	Up to 90%
Storage temperature	-20°C~+60°C
Storage relative humidity	Up to 93%
Approved	
CE, RoHS	
KNX	
Product information	
Dimensions	Φ84.5mm×32mm
Net weight	67.5g
Housing Material	ABS
Installation	Screw fixation
IP rating	IP20

Important Notes

- **Special Programming** – This device is designed for professional KNX installation. It can only be programmed by ETS software.
- **Cable Connections** – Do not get wrong connection for Black and Red wires.
- **Voltage** - The input of voltage must be between 21-30VDC.
- **Mounting Location** – To avoid installed near the air-conditioning vent and forbid to install near large area of metal objects.

Installation Steps

- Mount the device into ceiling.
- KNX/EIB Cable Connection.
- Make sure the connection is right.

Overview

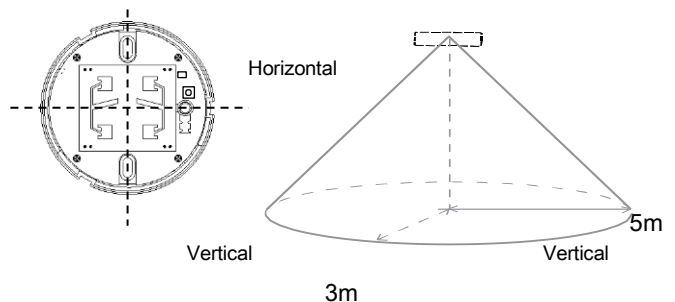


This KNX Indoor Doppler Sensor, includes 4 independent logic blocks and 1 combined logic block, the logic relation can be “AND” “OR” , logic input conditions can be the condition of LUX sensor, microwave sensor, temperature sensor, dry contact, external telegram.

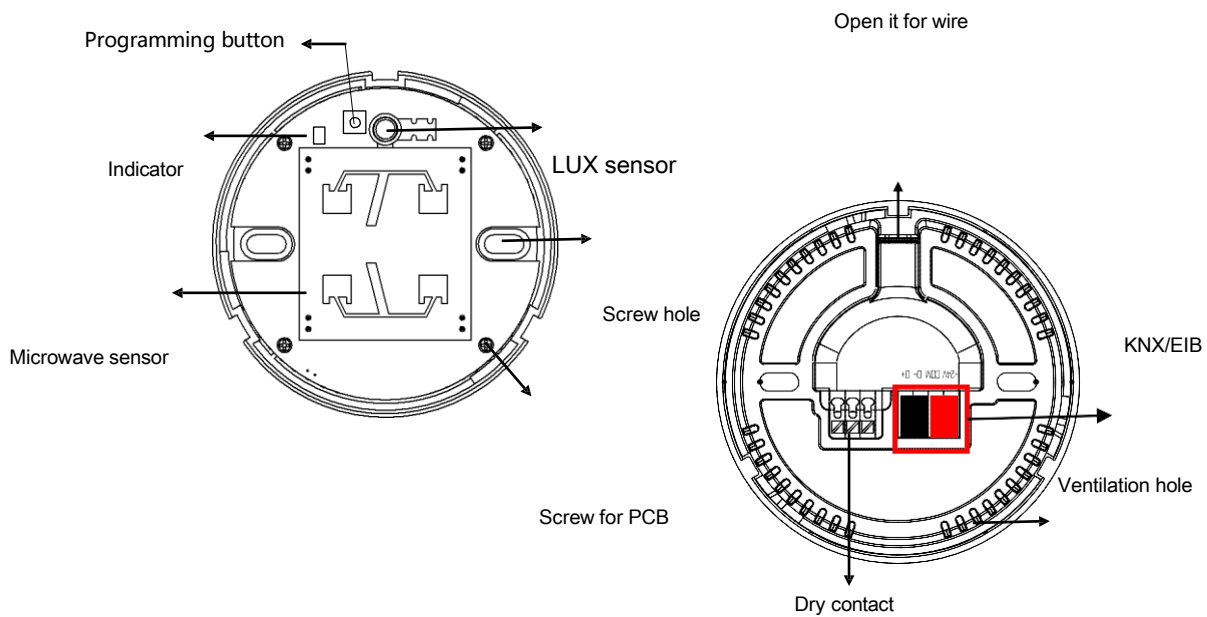
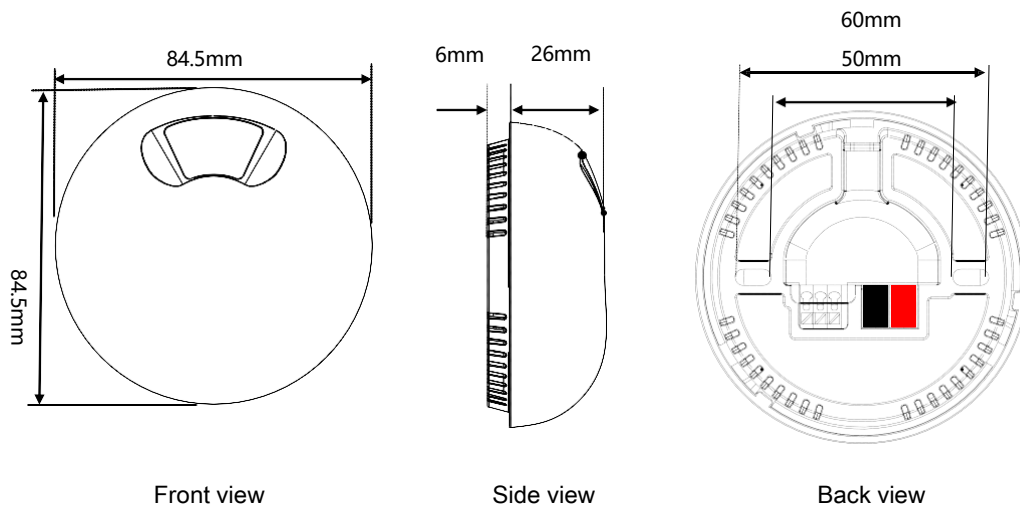
Functions

- Built-in LUX sensor, microwave sensor, temperature sensor, dry contact, external telegram.
- The multi-function motion sensor have 5 logic function blocks and can be set the logical relation AND/OR, Each with 10 output objects. The work mode include single mode and Master & Slave mode.
- The multi-function motion sensor can report movement status, Lux status to KNX system.
- The multi-function motion sensor supports constant brightness output.
- It can controls for Switch control, Absolute dimming control, Shutter control, Alarm control, Percentage control , Sequence control, Scene control, String(14 bytes) control, Threshold control, Logic combination.
- With function of constant brightness: keep the Lux in the constant value, will dim the lights to the corresponding intensity according to the surrounding brightness.
- The logic validity can be set by external telegram, enable end-user to enable or disable the preset logics.

Microwave sensing range



Layout and Wirings



Safety Precautions

- Screw down torque is less than 0.4Nm.
- Do not get wrong connection on positive and negative for the bus cable.
- Avoid contact with liquids and corrosive gases.
- Do not get AC voltage into Bus wire , it will damage all devices in the system.

Package Contents

- Datasheet *1