

Logic Machine

by **embedded systems**

Technical Sheet For EIB/KNX Room Controller Premium

LMRM4102

The worldwide standard for home and building control

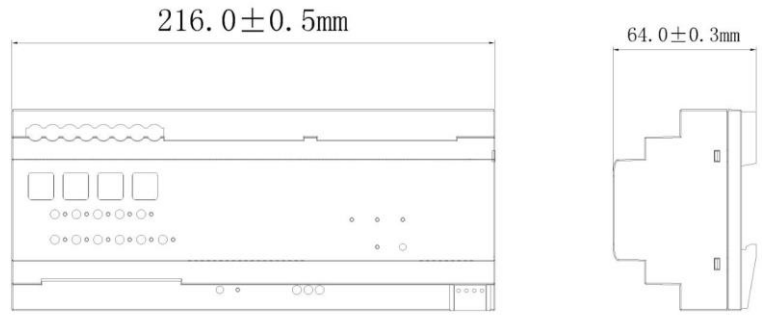
CHARACTERISTICS

- 20 channels Dry contact input.Functions of each channel are switch sensor,dimming sensor, value output , shutter control and delay mode
- 10 channels Switch output. 4ch are manual operation (mechanical switch) available, the Max. Load current is 16A;the others are electrical switch available, and the Max. Load current is 10A.all channels have the function of staircase lighting, light flashing and switch delay. also logic and force operation are available
- 2 channels Shutter output. Max. load current is 10A; operating shutter and louvre adjustment are available; automatic function and sun protection are available; safety operating are available;
- 2 channels 0/1~10V dimming output. relative dimming、 brightness dimming and staircase lighting are available
- 1 channel Fan Coil output. 3 level fan speeds,Max. current is 10A.that can be reused for 3ch switch actuator;4 pipes HVAC control system,Max. load current is 2A;PWM and continuous control both are available
- RS485 convert function is available
- KNX IP convert function is available

PARAMETERS

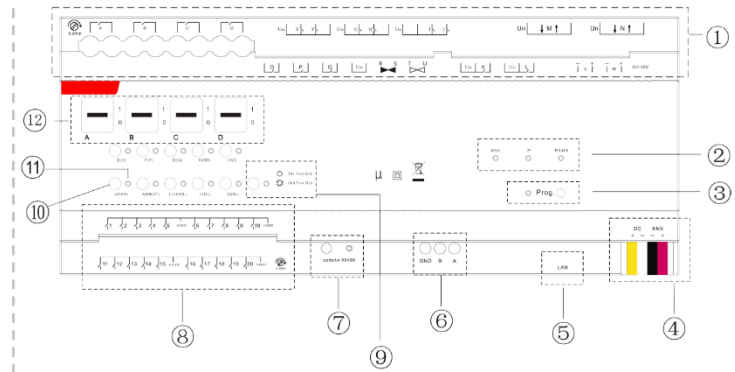
Power supply	Bus voltage	21-30V DC, via the EIB
	Standby current	Max. 12mA
	Power consumption	Max. 360mW
Auxiliary Power	Work voltage	24-30V DC
	Auxiliary current	Max. 250mA
	Auxiliary power consumption	<6W
Input	20ch Dry Input	
Output	10ch Switch(4ch is 16A,other 6ch is 10A)	
	2ch Dimming(0/1~10V dimming output, rated current is 100mA)	
	2ch Shutter(rated voltage is 250VAC,rated current is 10A)	
	1ch Fan Coil,(3levels fan output.4 pipes HVAC control system)	
Operation and display	Red LED and push button	For assigning the physical address
	Green LED flashing	For displaying application layer running normally
	Operation	-5 °C ... + 45 °C
Temperature	Storage	-25 °C ... + 55 °C
	Transport	- 25 °C ... + 70 °C
Environmental	humidity	<93%,except condensation
Installation	Modular Din-Rail Component	35mm DIN Rail

DIMENSIONS



Model	Dimension	Weight
LMRM4102	216×90×64mm(L×W×H)	0.7kg

DESCRIPTIONS



- ① Output load terminal:A~L are Switch output;V and W are Dimmer output;O~Q are Fan output;R and S are Heating valve;T and U are Cooling valve;M and N are shutter output
- ② Communication interface state indicate LED
- ③ Programming push button and LED;Red LED for assigning the physical address,Green LED for displaying application layer running normally
- ④ EIB/KNX bus and auxiliary power connection terminal
- ⑤ KNX IP connection
- ⑥ RS485 communication connection terminal
- ⑦ Update RS485 push button and LED.lowly flashing indicate converter running normally,while fast flashing for updating
- ⑧ Dry contact inputs(1...20)
- ⑨ Electronic manual operation function group shift
- ⑩ Manual operation Electronic switch
- ⑪ channel status display
- ⑫ Manual operation, Mechanical switch and switch position display

INSTALLATION FIGURE

The devices are suitable for installation on the distribution boards with 35mm mounting rail which complies with DIN EN 60715 or a small box in order to facilitate quick installation of the device. Must ensure that the device operation, testing, detecting, maintenance correctly.

IMPORTANT INFORMATION

Installation and commissioning of the device may only be carried out by trained electricians. The relevant standards, directives, regulations and instructions must be observed when planning and implementing the electrical installation.

- Protect the device against moisture, dirt and damage during transport, storage and operation!
- Do not operate the device outside the specified technical data (e.g. temperature range)!
- The device may only be operated in closed enclosures (e.g. distribution boards). Should the device become soiled, it may be cleaned with a dry cloth. If this does not suffice, a cloth lightly moistened with soap solution may be used. On no account should caustic agents or solvents be used.